



M-POWER-2T

AC POWER & DATA CONNECTIVITY SOLUTION

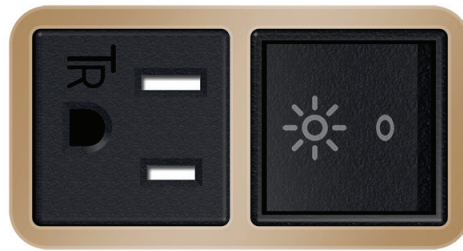
M-POWER-2T-AR-BZ5AB



Mormax Company, Inc. 914-699-0101
 8 Westchester Plaza sales@mormax.com
 Elmsford, NY 10523 mormax.com

Metro Light & Power's line of power & data solutions offers sophisticated design elements combined with greater ease of installation. Streamlined and low-profile, enhanced by side-exiting cords, our outlets advance the industry with their cutting-edge look and feel. We believe flexibility is key, and we provide a variety of mounting options, including the ability to mount in limited spaces. Our outlets are available in many finishes and configurations, in addition to a custom color and finish capability for our clients.

Bezel Finish: **ARCHITECTURAL BRONZE (ABS)**
Custom Finishes Available M-POWER-2T-AR-BZ5AB



Features:

Module/Port Options:

- A** Tamper Resistant AC Receptacle
- B** Double USB (Fast Charging Ports - Rated for 3.2A)
- C** HDMI
- D** CAT 6
- E** 3.5mm Mini Stereo Jack
- F** Single USB (Fast Charging Port - Rated for 3.2A)
- G** RJ 12
- H** Switched AC
- I** 3-Way Switch
- J** USB C (High Speed Charging Port)
- K** Switched AC (Rocker Switch)

Plug:

- Low Profile Flat 45° Angle 120 VAC Plug
- Standard Straight 120 VAC Plug

- CLEAN, COMPACT DESIGN
- STREAMLINED
- LOW PROFILE
- SIDE-EXITING CORDS
- PLUG & PLAY
- 3.2A HIGH SPEED USB CHARGING FOR ALL DEVICES
- 6' AC CORD & PLUG (FLAT PLUG STANDARD)
- CUSTOMIZABLE CONFIGURATIONS AND FINISHES
- UL LISTED FOR MOUNTING IN FURNITURE
- 15A



Shown in Architectural Bronze (ABS) Bezel, featuring 1 Tamper Resistant AC, and 1 Switched AC (Rocker Switch).





M-POWER-2T

AC POWER & DATA CONNECTIVITY SOLUTION

M-POWER-2T-AR-BZ5AB



Mormax Company, Inc.

914-699-0101

8 Westchester Plaza

sales@mormax.com

Elmsford, NY 10523

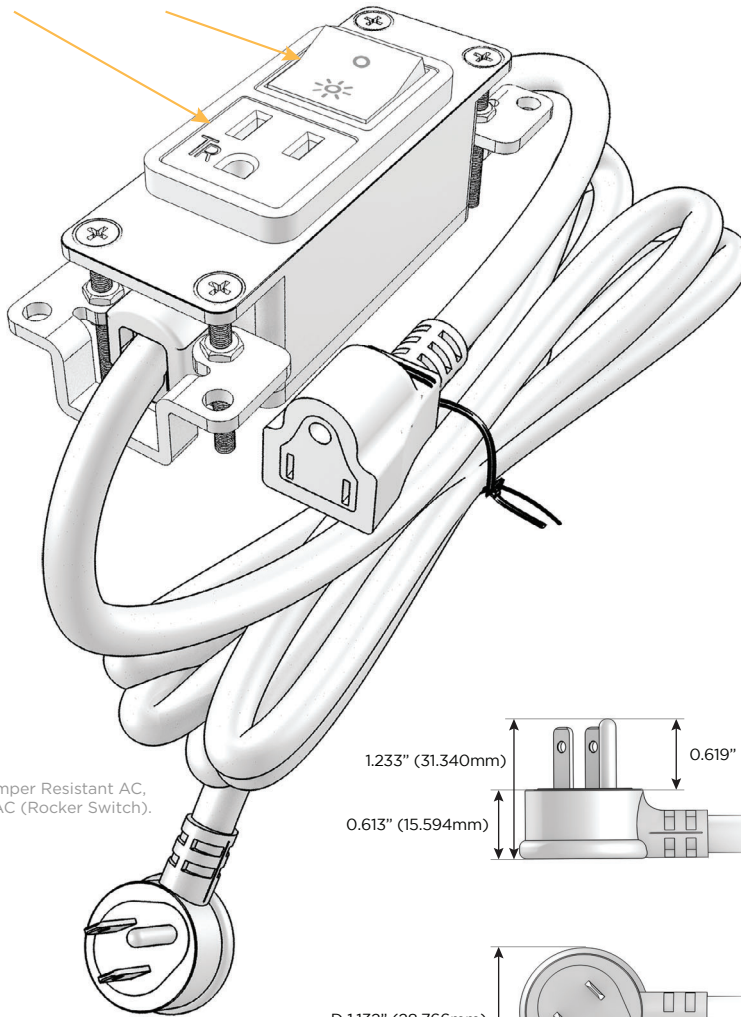
mormax.com

Specs:

Modules/Ports:

- A** Tamper Resistant AC Receptacle
- B** Switched AC (Rocker Switch)

A B



Shown with 1 Tamper Resistant AC, and 1 Switched AC (Rocker Switch).

TOP

