



# M-POWER-2T

## AC POWER & DATA CONNECTIVITY SOLUTION

M-POWER-2TW-AU-WRNCB

Distributed by



Mormax Company, Inc.  
8 Westchester Plaza  
Elmsford, NY 10523

914-699-0101  
sales@mormax.com  
mormax.com

Metro Light & Power's line of power & data solutions offers sophisticated design elements combined with greater ease of installation. Streamlined and low-profile, enhanced by side-exiting cords, our outlets advance the industry with their cutting-edge look and feel. We believe flexibility is key, and we provide a variety of mounting options, including the ability to mount in limited spaces. Our outlets are available in many finishes and configurations, in addition to a custom color and finish capability for our clients.

Bezel Finish:

*Custom Finishes Available*

**WHITE POWDER COATED (STEEL)**

M-POWER-2TW-AU-WRNCB



Features:

**Module/Port Options:**

- A** Tamper Resistant AC Receptacle
- U** Double USB (Fast Charging Ports - Rated for 3.2A)
- C** HDMI
- D** CAT 6
- E** 3.5mm Mini Stereo Jack
- F** Single USB (Fast Charging Port - Rated for 3.2A)
- G** RJ 12
- H** Switched AC
- I** 3-Way Switch
- J** USB C (High Speed Charging Port)
- K** Switched AC (Rocker Switch)

**Plug:**

- Low Profile Flat 45° Angle 120 VAC Plug
- Standard Straight 120 VAC Plug

- **CLEAN, COMPACT DESIGN**
- **STREAMLINED**
- **LOW PROFILE**
- **SIDE-EXITING CORDS**
- **PLUG & PLAY**
- **3.2A HIGH SPEED USB CHARGING FOR ALL DEVICES**
- **6' AC CORD & PLUG (FLAT PLUG STANDARD)**
- **CUSTOMIZABLE CONFIGURATIONS AND FINISHES**
- **UL LISTED FOR MOUNTING IN FURNITURE**
- **15A**



Shown in White Powder Coated (Steel) Round Bezel, featuring 1 Tamper Resistant AC, and 1 Double USB Charging Port.





# M-POWER-2T

## AC POWER & DATA CONNECTIVITY SOLUTION

### M-POWER-2TW-AU-WRNDDB

Distributed by



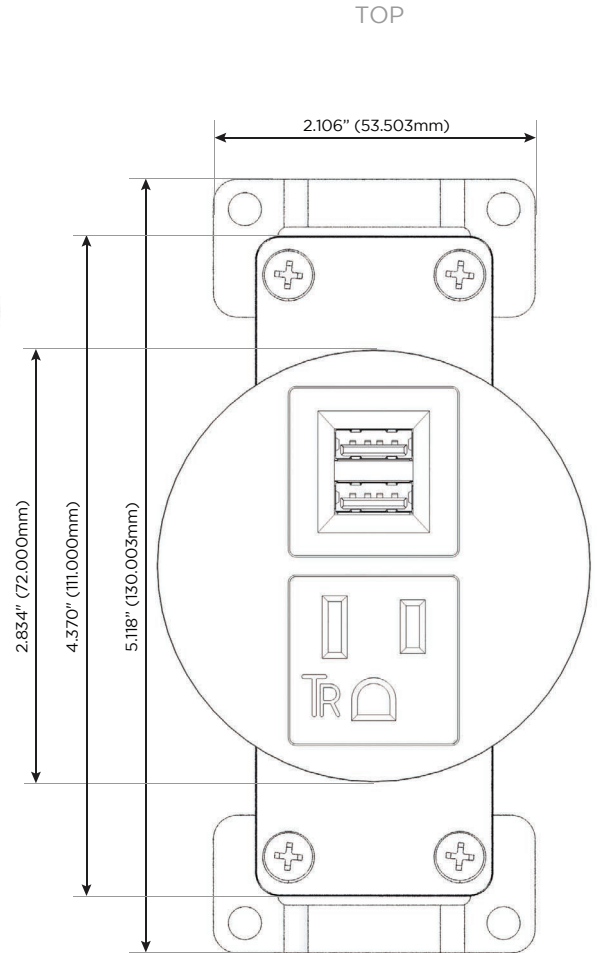
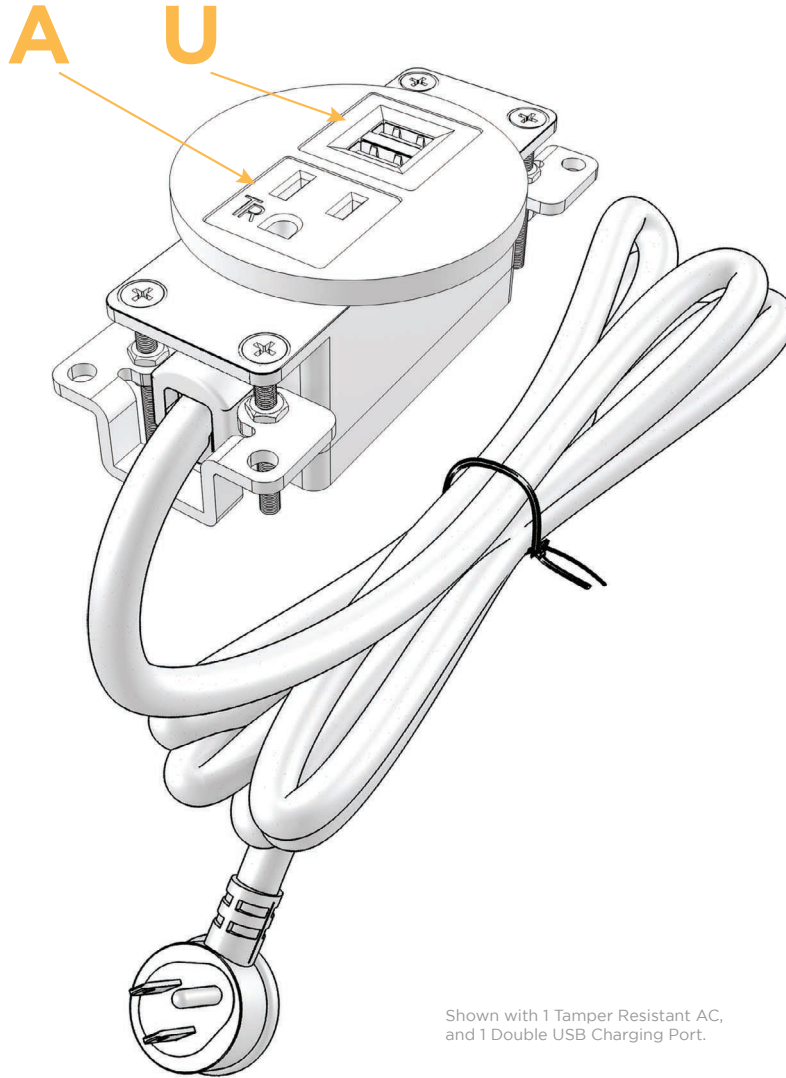
Mormax Company, Inc.  
8 Westchester Plaza  
Elmsford, NY 10523

914-699-0101  
sales@mormax.com  
mormax.com

Specs:

**Modules/Ports:**

- A** Tamper Resistant AC Receptacle
- U** Double USB (Fast Charging Ports - Rated for 3.2A)



Shown with 1 Tamper Resistant AC, and 1 Double USB Charging Port.

