



M-POWER-3T

AC POWER & DATA CONNECTIVITY SOLUTION

M-POWER-3T-AUA-BRATP

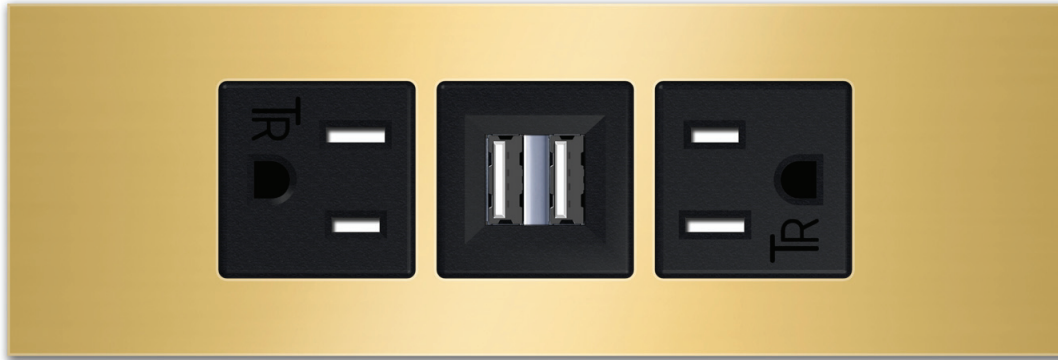


Mormax Company, Inc.
8 Westchester Plaza
Elmsford, NY 10523

914-699-0101
sales@mormax.com
mormax.com

Metro Light & Power's line of power & data solutions offers sophisticated design elements combined with greater ease of installation. Streamlined and low-profile, enhanced by side-exiting cords, our outlets advance the industry with their cutting-edge look and feel. We believe flexibility is key, and we provide a variety of mounting options, including the ability to mount in limited spaces. Our outlets are available in many finishes and configurations, in addition to a custom color and finish capability for our clients.

Slim Plate Finish: **STANDARD BRASS (ABS)**
Custom Finishes Available M-POWER-3T-AUA-BRATP



Features:

Module/Port Options:

- A** Tamper Resistant AC Receptacle
- B** Double USB (Fast Charging Ports - Rated for 3.2A)
- C** HDMI
- D** CAT 6
- E** 3.5mm Mini Stereo Jack
- F** Single USB (Fast Charging Port - Rated for 3.2A)
- G** RJ 12
- H** Switched AC
- I** Wireless AC

Plug:

- Low Profile Flat 120 VAC Plug
- Standard Straight 120 VAC Plug

- **CLEAN, COMPACT DESIGN**
- **STREAMLINED**
- **LOW PROFILE**
- **SIDE-EXITING CORDS**
- **PLUG & PLAY**
- **3.2A HIGH SPEED USB CHARGING FOR ALL DEVICES**
- **6' AC CORD & PLUG (FLAT PLUG STANDARD)**
- **CUSTOMIZABLE CONFIGURATIONS AND FINISHES**
- **UL LISTED FOR MOUNTING IN FURNITURE**
- **15A**



Shown in Standard Brass (ABS) Slim Plate, featuring 2 Tamper Resistant ACs, and 1 Double USB Charging Port.



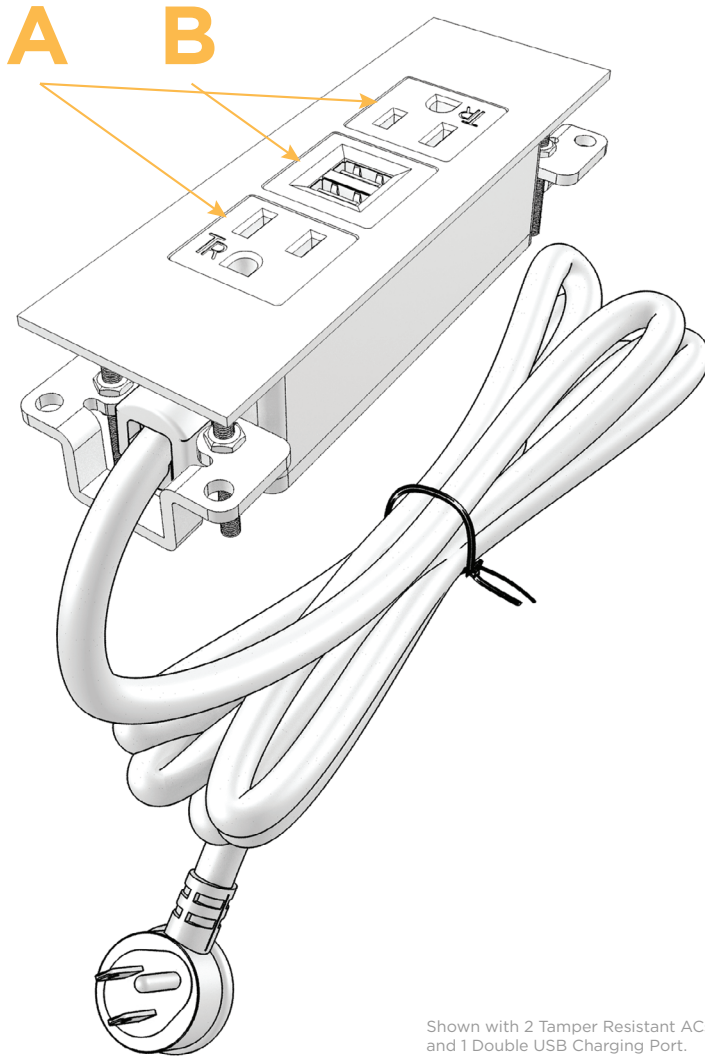
M-POWER-3T

AC POWER & DATA CONNECTIVITY SOLUTION

M-POWER-3T-AUA-BRATP

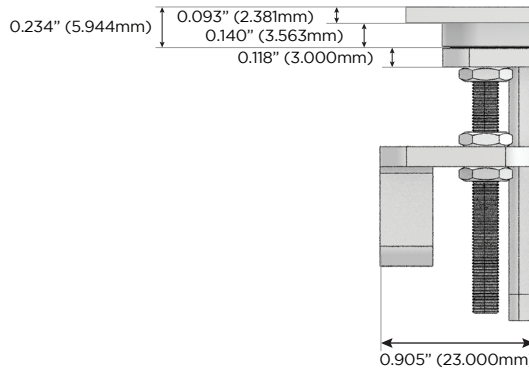
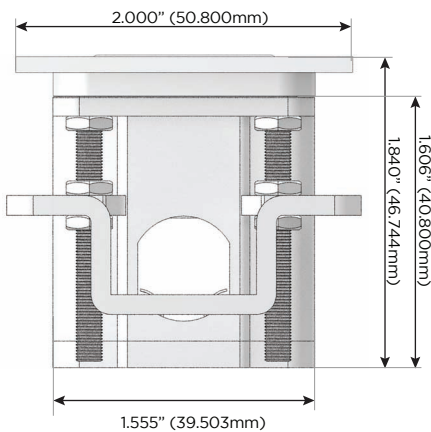
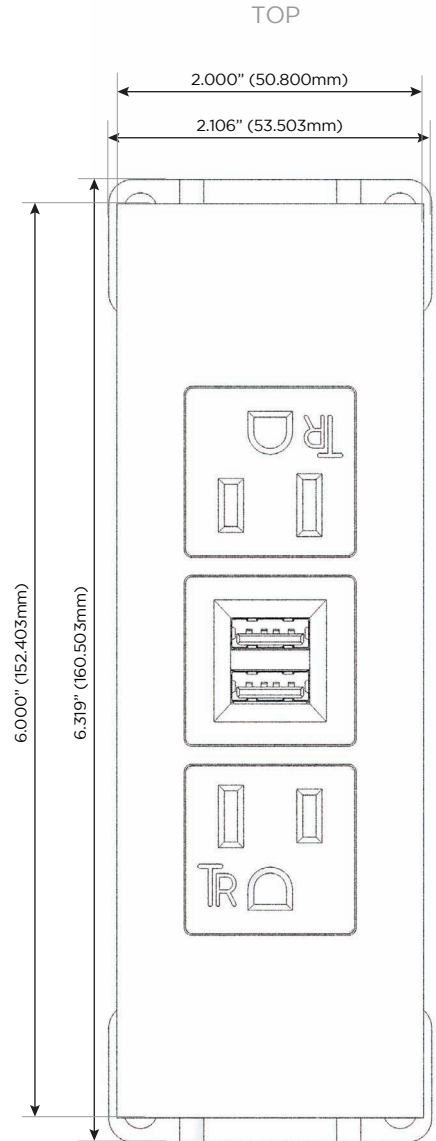
Modules/Ports:

- A** Tamper Resistant AC Receptacle
- B** Double USB (Fast Charging Ports - Rated for 3.2A)



END

Shown with 2 Tamper Resistant ACs, and 1 Double USB Charging Port.



SIDE